

Onshore Oil and Gas Training Facility

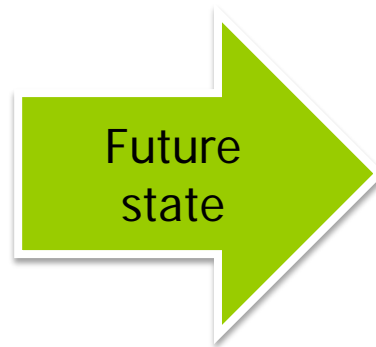
Opportunity for
“common user” training
hub

Santos

Bron Fisher
Santos August 2013

Issues facing Santos and identified solutions

- Significant shift in operational capability developing over the next 5 – 8 years
 - Aging workforce
 - Loss of critical skill
 - Loss of historical knowledge; lessons learnt from 30 years of operating experience
 - Need to train “new hires” at the rate required and to replace key experience loss

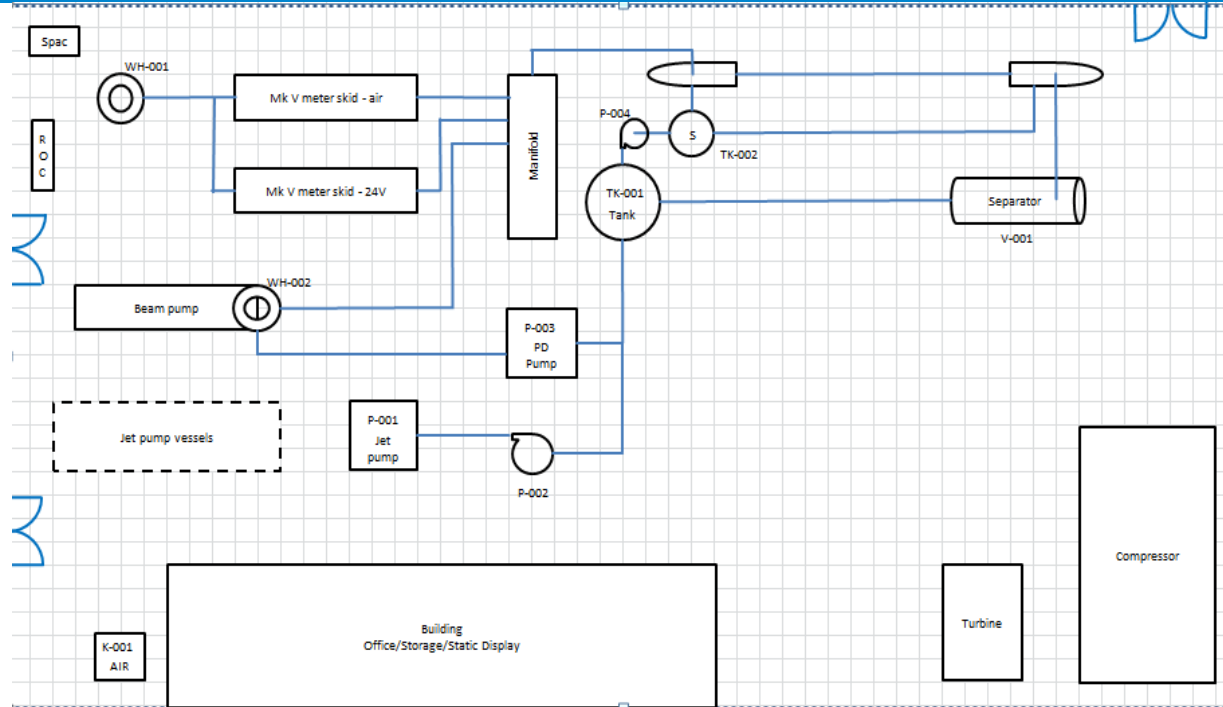


- Formal Technical ‘face to face’ training curriculum using offsite simulation, equipment demonstration, task and skills based training
- Critical EHS training; systematic knowledge and skills training

Oil and Gas Production Simulation Training Facility



Santos equipment donations, installation and facility commissioning



Partnerships



Relocating our existing maintenance training facility established in partnership with TAFE SA



Opportunities for industry partnership in a “common user” training facility?

Benefits to the oil and gas industry and SA

- ✓ The supply of skilled workers in a period of growing demand
- ✓ Consistency of knowledge and skill – reliability and productivity
- ✓ Strong focus on EHS behaviours and compliance